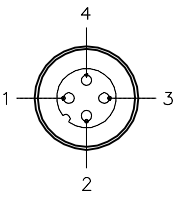
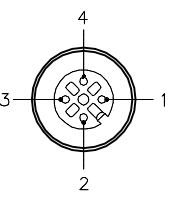
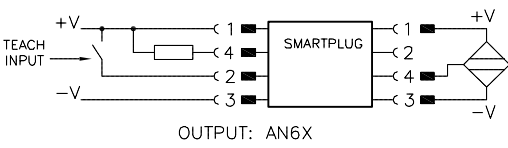
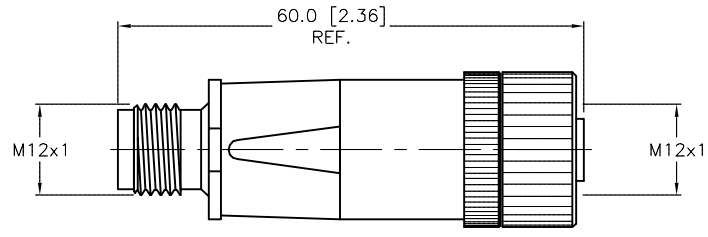
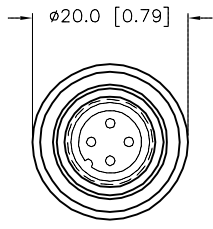
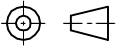


MALE END VIEW	FEMALE END VIEW	WIRING DIAGRAM	SPECIFICATIONS																									
		 <p data-bbox="703 365 1123 389">SHORT-CIRCUIT AND OVERLOAD PROTECTED</p>	<table border="1"> <tr><td>LOGIC (FUNCTION)</td><td>OVER OR UNDER SPEED MONITOR</td></tr> <tr><td>CONTACT MATERIAL/PLATING</td><td>BRASS/GOLD</td></tr> <tr><td>HOUSING MATERIAL</td><td>PLASTIC PBT/PA</td></tr> <tr><td>RATED CURRENT [A]</td><td>400 mA</td></tr> <tr><td>RATED VOLTAGE [V]</td><td>10-30 V DC</td></tr> <tr><td>LED FUNCTION</td><td>DISPLAY - RED</td></tr> <tr><td>OWN CURRENT CONSUMPTION</td><td><10 mA</td></tr> <tr><td>INPUT RESISTANCE</td><td>>10 kΩ</td></tr> <tr><td>MAX. INPUT FREQUENCY</td><td>10 kHz</td></tr> <tr><td>MIN. RESPONSE TIME</td><td>0.1 ms</td></tr> <tr><td>TEMPERATURE RATING</td><td>-20°C to +60°C (-4°F to +140°F)</td></tr> <tr><td>PROTECTION CLASS</td><td>IEC IP67</td></tr> </table>	LOGIC (FUNCTION)	OVER OR UNDER SPEED MONITOR	CONTACT MATERIAL/PLATING	BRASS/GOLD	HOUSING MATERIAL	PLASTIC PBT/PA	RATED CURRENT [A]	400 mA	RATED VOLTAGE [V]	10-30 V DC	LED FUNCTION	DISPLAY - RED	OWN CURRENT CONSUMPTION	<10 mA	INPUT RESISTANCE	>10 kΩ	MAX. INPUT FREQUENCY	10 kHz	MIN. RESPONSE TIME	0.1 ms	TEMPERATURE RATING	-20°C to +60°C (-4°F to +140°F)	PROTECTION CLASS	IEC IP67	
LOGIC (FUNCTION)	OVER OR UNDER SPEED MONITOR																											
CONTACT MATERIAL/PLATING	BRASS/GOLD																											
HOUSING MATERIAL	PLASTIC PBT/PA																											
RATED CURRENT [A]	400 mA																											
RATED VOLTAGE [V]	10-30 V DC																											
LED FUNCTION	DISPLAY - RED																											
OWN CURRENT CONSUMPTION	<10 mA																											
INPUT RESISTANCE	>10 kΩ																											
MAX. INPUT FREQUENCY	10 kHz																											
MIN. RESPONSE TIME	0.1 ms																											
TEMPERATURE RATING	-20°C to +60°C (-4°F to +140°F)																											
PROTECTION CLASS	IEC IP67																											



SOURCE DRAWING - FOR REFERENCE ONLY

RELATED DOCUMENTS 1. 2. 3. 4.		3RD ANGLE PROJECTION 	THIS DRAWING IS CONFIDENTIAL AND THE PROPERTY OF TURCK INC. USE OF THIS DOCUMENT WITHOUT WRITTEN PERMISSION IS PROHIBITED.	3000 CAMPUS DRIVE MINNEAPOLIS, MN 55441 1-800-544-7769 (763) 553-7300 (763) 553-0708 fax www.turck.us	
MATERIAL SEE SPECIFICATIONS		ALL DIMENSIONS DISPLAYED ON THIS DRAWING ARE FOR REFERENCE ONLY	DRFT JBJ DATE 09/30/02 DSGN SCALE 1=1.0	DESCRIPTION SPF1-AN6X	
FINISH SEE SPECIFICATIONS		CONTACT TURCK FOR MORE INFORMATION	UNIT OF MEASUREMENT MILLIMETER [INCH] DO NOT SCALE THIS DRAWING		IDENTIFICATION NO. A0602 REV A
A	DRAWING RELEASE	JBJ	09/30/02	ECO NO.	FILE: A0602 SHEET 1 OF 1
REV	DESCRIPTION	BY	DATE	ECO NO.	